



7.3 cu. ft. Electric Double Oven Slide-in Range

- Air Sous Vide
- Built-In Air Fry with ProBake® Convection
- InstaView® & WideView™ Window
- EasyClean®
- SmoothTouch™ Glass Control Panel
- Slide-in Design with Double Oven
- 7.3 cu. ft. Large Capacity
- LG ThinQ® Technology (Wi-Fi)



COLOR AVAILABILITY

- LTEL7337F – PrintProof™ Stainless Steel
- LTEL7337D – PrintProof™ Black Stainless Steel

CAPACITY

Oven Capacity	7.3 cu. ft.
Upper Oven Capacity	3.0 cu. ft.
Lower Oven Capacity	4.3 cu. ft.

OVEN FEATURES

Convection System	ProBake® Convection (Lower Oven Only)
Oven Cooking Modes	Upper: Bake, Broil, Warm, Self Clean, EasyClean®, Remote Start, Delayed Timed Cook, Timed Cook; Lower: Bake, Conv. Bake, Conv. Roast, Warm/Proof, Broil, Frozen Meal, AirFry, Air Sous-Vide, EasyClean®, Self Clean, Remote Start, Delayed Timed Cook, Timed Cook
Infrared Heating™ System	No
Air Sous Vide	Yes (Lower oven only)
Built-in Air Fry	Yes (Lower oven only)
Temperature Probe	Yes
Oven Racks	2 Heavy Duty, 1 Gliding
Number of Rack Positions	Upper: 2; Lower: 4
Broil Element	Upper: Sheathed Heater 3,800W Lower: 3,800W / 6 Pass
Bake Element	Upper & Lower: 2,400W / 4 Pass (Exposed Bake)
Convection Element	2,500W / 2 Turn (ProBake® Convection)
Convection Conversion	Yes (Lower Oven Only)
EasyClean®	Yes
Self Clean	Yes
GoCook Smart Oven Light	Yes (1)
Door Lock	Yes
Automatic Safety Shut-Off	After 12 Hours (Lower Only)

COOKTOP FEATURES

Cooktop Type	Radiant
Number of Elements	5
Element Size / Wattage	
Left Front	9" / 6" - 3,200W UltraHeat™
Left Rear	6" - 1,200W
Center	7" - 100W
Right Front	12" / 9" / 6" - 3,600W UltraHeat™
Right Rear	6" - 1,200W
Hot Surface LED Indicator	Yes

CONTROLS

Cooktop Control Type	Front Tilt - Backlit LED Knobs (Weighted)
Oven Control Type	SmoothTouch™ Glass
Display	LED (White)
Language	English
Kitchen Timer	Yes
Timed Cook	Yes
Clock	12 Hr or 24 Hr (Option)
Temperature Unit of Measure	°F or °C
Cooking Complete Reminder Volume	High, Low, Off
Oven Control Lock	Yes

CONVENIENCE

ADA Compliant	Yes
Sabbath Mode	Yes (Star-K-Certified)

SMART FEATURES

Wi-Fi Enabled	Yes
ThinQ® Technology	Yes
ThinQ Care	Yes
Remote Monitoring	Yes
Voice Control	Amazon Alexa, Google Assistant
SmartDiagnosis™	Yes
3rd Party Recipe App	Yes (SideChef)
Scan to Cook (LG ThinQ)	Yes

FINISHES AND APPEARANCE

Fingerprint & Smudge Resistant Exterior	Yes
Cooktop Finish	Black Ceramic
Handle / Knobs	F - Stainless Steel Appearance D - Black Stainless Steel Appearance
Oven Door Feature	InstaView® Window (WideView™)

TECHNICAL SPECS

Required Power Supply	120/208-240 V, 60 Hz, 3-Wire or 4-Wire
Minimum Circuit Rating	40 Amp
kW Rating at 208V	11.9 kW
kW Rating at 240V	15.8 kW
Power Cord	Not Included
Electrical Receptacle	4-Wire (14-50R) / 3-Wire (10-50R)
Power Outlet Location	See Installation Diagram

INCLUDED ACCESSORIES

2 Heavy Duty Racks, 1 Gliding Rack, 1 Air Fry Tray, Temperature Probe, Rear Filler Kit, Scouring Pad, Cooktop Cleaner

OPTIONAL ACCESSORIES

Slide-in Range Filler Kit (Side Gaps)	LSFL301S
---------------------------------------	----------

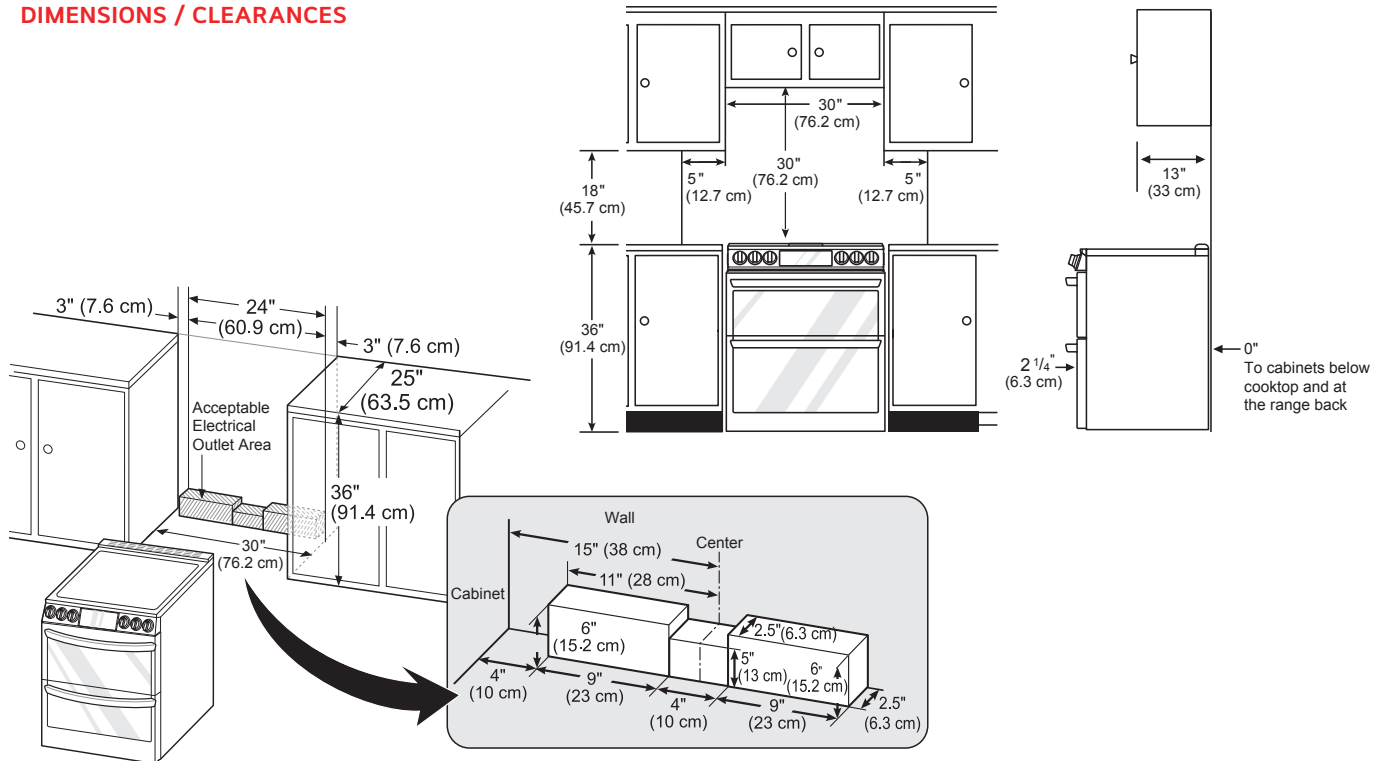
DIMENSIONS / CLEARANCES / WEIGHTS

Product Dimensions (W x H x D w/Handle)	29 7/8" x 36 1/2" x 29 17/64"
Product Height to Cooking Surface	36"
Cutout Dimensions (W x H x D)	30" x 36" x 25"
Carton Dimensions (W x H x D)	31 31/32" x 42 3/64" x 29 59/64"
Approx. Weight (Product / Carton)	189 lbs. / 231 lbs.

LIMITED WARRANTY

Parts and Labor	1 Year
-----------------	--------

DIMENSIONS / CLEARANCES

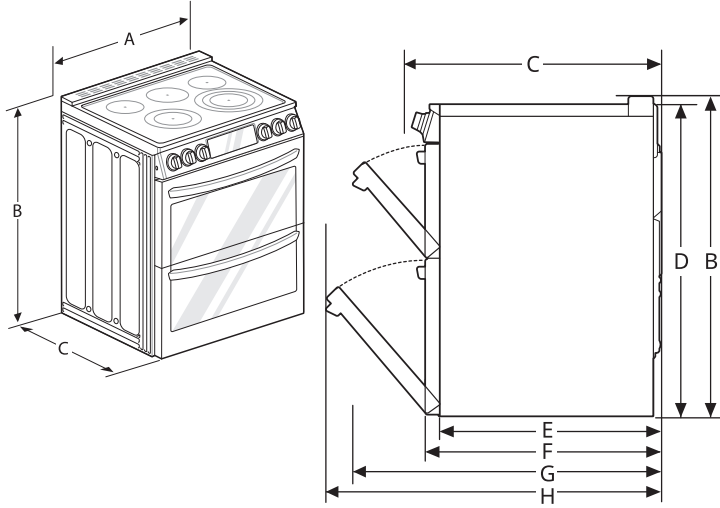


MINIMUM DIMENSIONS

*30" (76.2 cm) minimum clearance between the top of the cooking surface and the bottom of an unprotected wood or metal cabinet; or 24" (60.9 cm) minimum when bottom of wood or metal cabinet is protected by not less than 1/4" (6.4 cm) flame retardant millboard covered with not less than no. 28 MSG sheet steel, 0.015" (0.381 mm) stainless steel, 0.024" (0.610 mm) aluminum or 0.020" (0.508 mm) copper.

**15" (38.1 cm) minimum between countertop and adjacent cabinet bottom.

DIMENSIONS / CLEARANCES



DIMENSIONS / CLEARANCES

A	Width	29 7/8" (758.8 mm)
B	Height	36 1/2" (927.9 mm)
C	Depth (Includes Door Handle)	29 17/64" (743.2 mm)
D	Height (Excludes Vent Trim)	36" (913.0 mm)
E	Depth (Includes only the product body that is loaded into the cabinet. Excludes door, drawer, and handles)	24 3/4" (629.4 mm)
F	Depth (Excludes Door Handle)	26 7/8" (683 mm)
G	Depth when upper door is fully opened	38 5/8" (981.2 mm)
H	Depth when lower door is fully opened	42 7/32" (1072.2 mm)